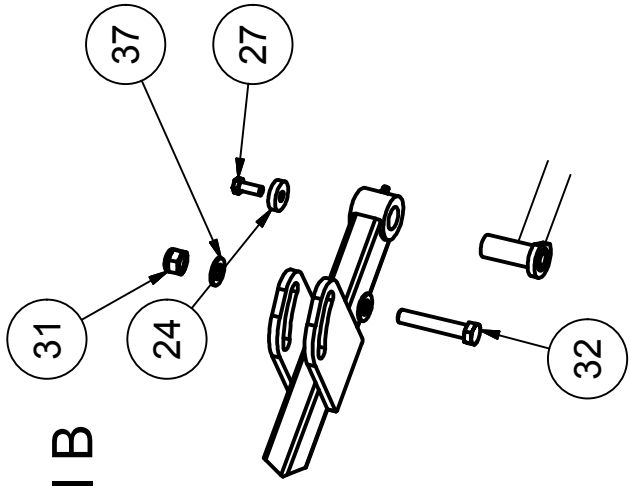
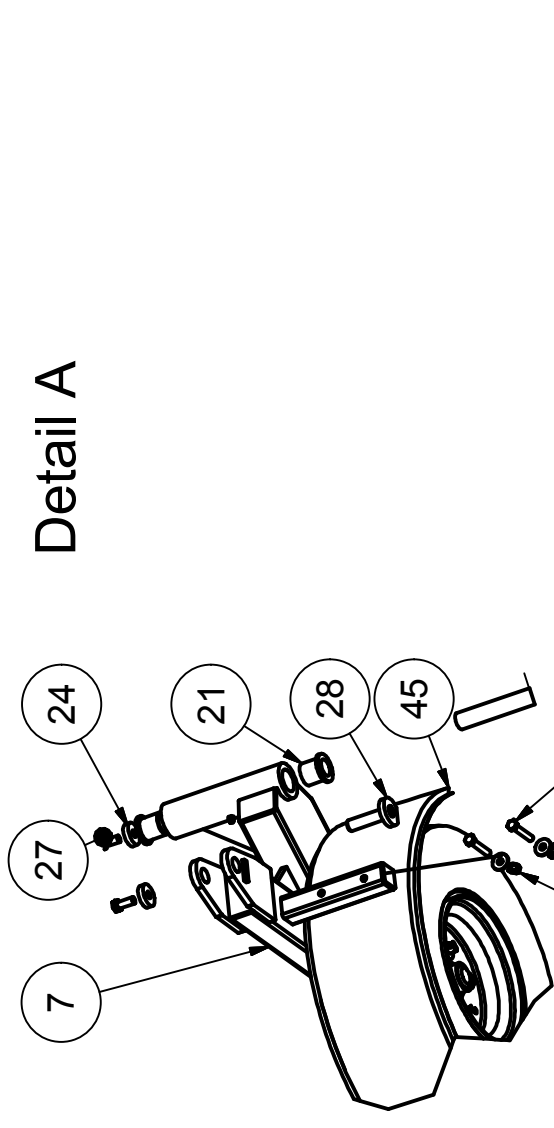


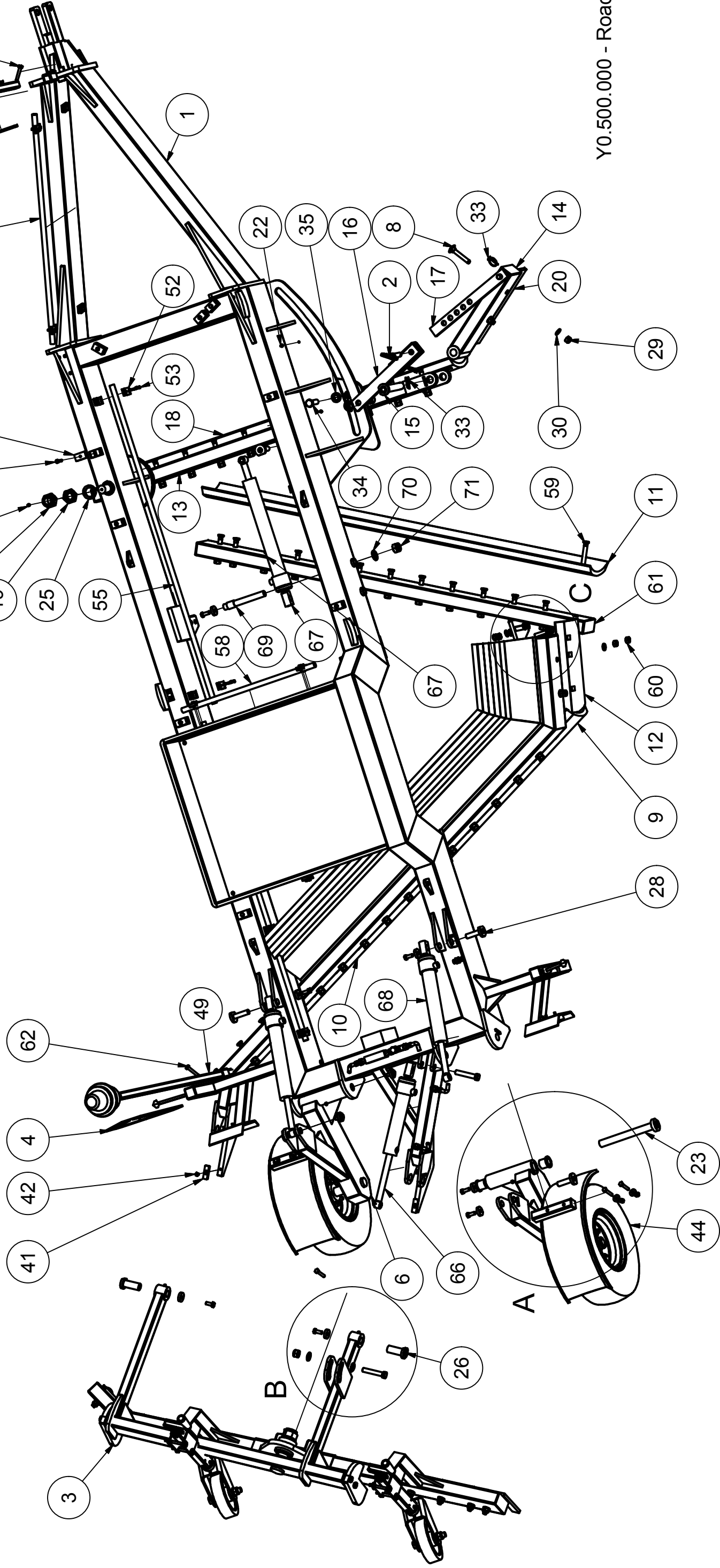
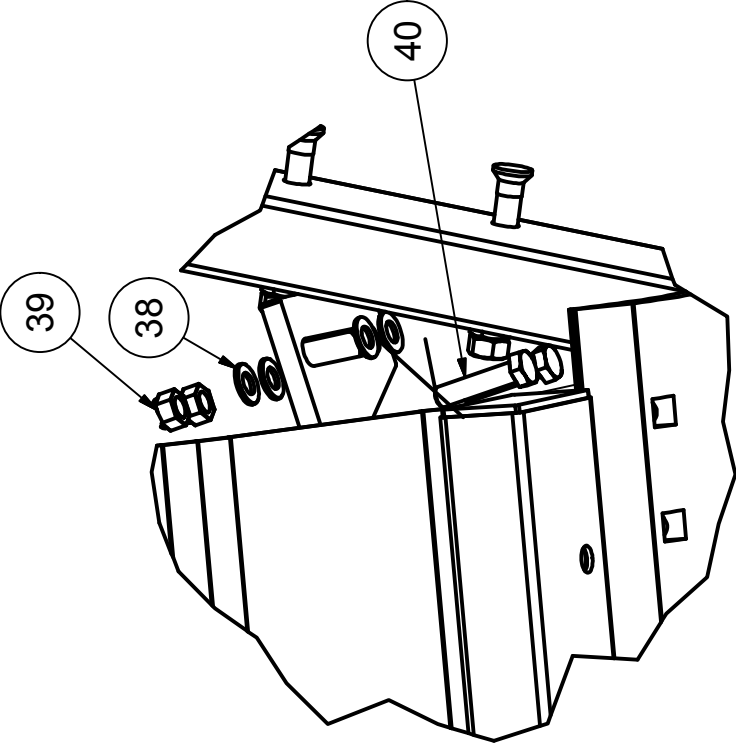
Detail B



Detail A



Detail C



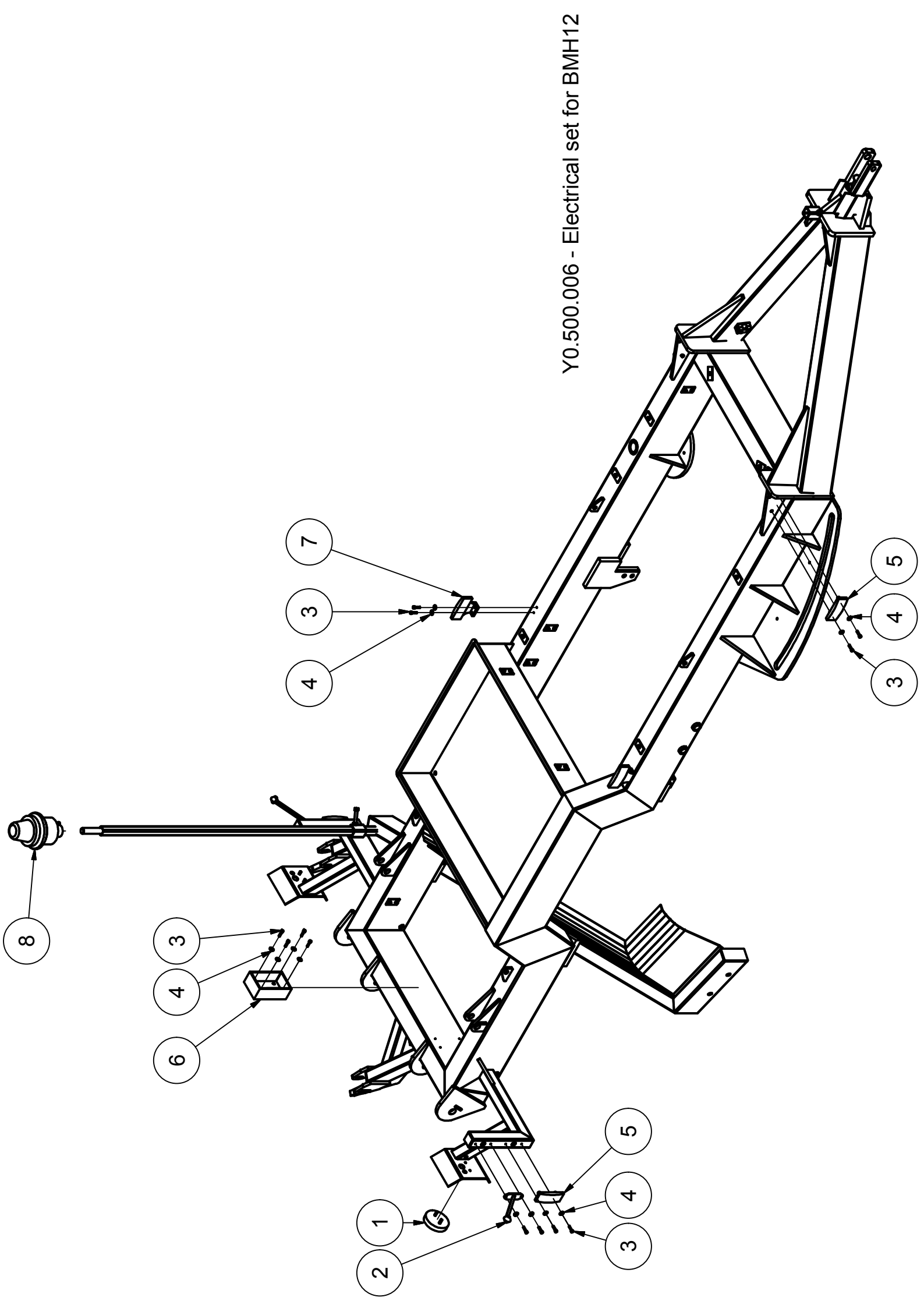
Y0500000 Road Grader

BOM version: BOM05101857

X =See separate drawing

Pos.	Item number	Description
1	Y0500040	Frame with lighting support
2	23006012	Pin for BMH12
3	Y0500005	Extension Rake BMH12 X
4	20010921	Reflective Triangle
5	Y0500050	Hosse's support
6	Y0500047	Right Arm for cylinder
7	Y0500051	Left Arm for cylinder
8	22025513	M16x100 8.8 FZB DIN 603-8.8 Round Square Neck Bolt without H
9	Y0500102	Gradershare rear middle for road graders
10	Y0500103	Gradershare rear side for road graders
11	Y0500101	Gradershare middle for road graders
12	Y0500104	Gradershare gather for road graders
13	Y0500064	Front profile
14	Y0500066	Extension side
15	Y0500067	Bolt for front extension
16	Y0500068	Plate for extension
17	Y0500219	Hole plate for front extension
18	Y0500100	Gradershare front for road graders
19	22051500	M36 8 FZB DIN934-8 Hex Nut Nominal Height 0,8d
20	Y0500105	Gradershare gather front for road grader
21	Y0500229	Bush for Wheel
22	21060009	Grease nipple M8x1,25
23	Y0500069	Bolt for fixing wheel
24	Y0500234	Washer for wheel
25	Y0500235	Washer
26	Y0500073	Bolt
27	22008504	M12x30 8.8 FZB DIN933 Hex Cap Screw
28	Y0500074	Bolt for fixing cylinder
29	22052007	M16 6 FZB DIN985 Prevailing Torque Hex Nut with polyamid ins
30	22058704	M16 140HV FZB DIN 125 ISO7090 Flat Washer with chamfer
31	22052008	M18 6 FZB DIN985 Prevailing Torque Hex Nut with polyamid ins
32	22002612	M18x100 8.8 FZB DIN931/ ISO4014 Hex Cap Screw
33	23006000	ø4,5x33x35 SS FZB Spring Cotters for bolt
34	22002707	M20x70 8.8 FZB DIN931/ ISO4014 Hex Cap Screw
35	Y0500249	Washer
36	22052009	M20 6 FZB DIN985 Prevailing Torque Hex Nut with polyamid ins
37	22058043	M20 140HV FZB DIN125A/ ISO7089 Flat Washer without chamfer,
38	22058041	M14 140HV FZB DIN125A/ ISO7089 Flat Washer without chamfer,
39	22052006	M14 6 FZB DIN985 Prevailing Torque Hex Nut with polyamid ins
40	22008607	M14x60 8.8 FZB DIN933 Hex Cap Screw
41	8000156	Rubber damping for BMH12
42	22008301	Sætskrue M8x12 FZB DIN 933
43	21040033	Half part for ø18 double clamp
44	C1100011	Wheel with air For BMH12

45	Y0500250	Protection wing	
49	Y0500077	Support for lamp	
52	21040022	Hose holder Ø22 - 2buc	
53	22081127	M6x25 A2 kl.70 DIN912/ ISO4762 Socket Head Cap Screw	
54	22012302	M6x30 8.8 FZB DIN912/ ISO4762 Hex Cap Screw	
55	Y0500252	Pipe for wires	
56	Y0500253	Pipe for wires	
57	Y0500268	Short plate for lighting support	
58	Y0500254	Pipe for wires	
59	22025515	Special bolt for BMH12	
60	22050815	Nut CA 7X0448	
61	Y0500059	Middle profile	
62	22008410	M10x60 8.8 FZB DIN933 Hex Cap Screw	
63	22052004	M10 6 FZB DIN985 Prevailing Torque Hex Nut with polyamid ins	
64	22058700	M10 140HV FZB DIN9021A/ ISO7093 Flat Washer without chamfer,	
65	22051500	M36 8 FZB DIN934-8 Hex Nut Nominal Height 0,8d	
66	21009080	Hydraulic kit set 1for BMH12	
67	21009085	Hydraulic kit set 2 for BMH12	
68	21009090	Hydraulic kit set 3 for BMH12	
69	Y0500246	Bolt for fixing cilinder	
70	22100024	M24 140HV HDG DIN125A/ ISO7089 Flat Washer without chamfer,	
71	22052011	M24 8.8 FZB DIN985-8 Prevailling Torque Hex Nut with polyami	
72	Y0500271	Bush for front bolt	
73	Y0500272	Small bush for front bolt	
74	Y0500006	Electric set for BMH12	X



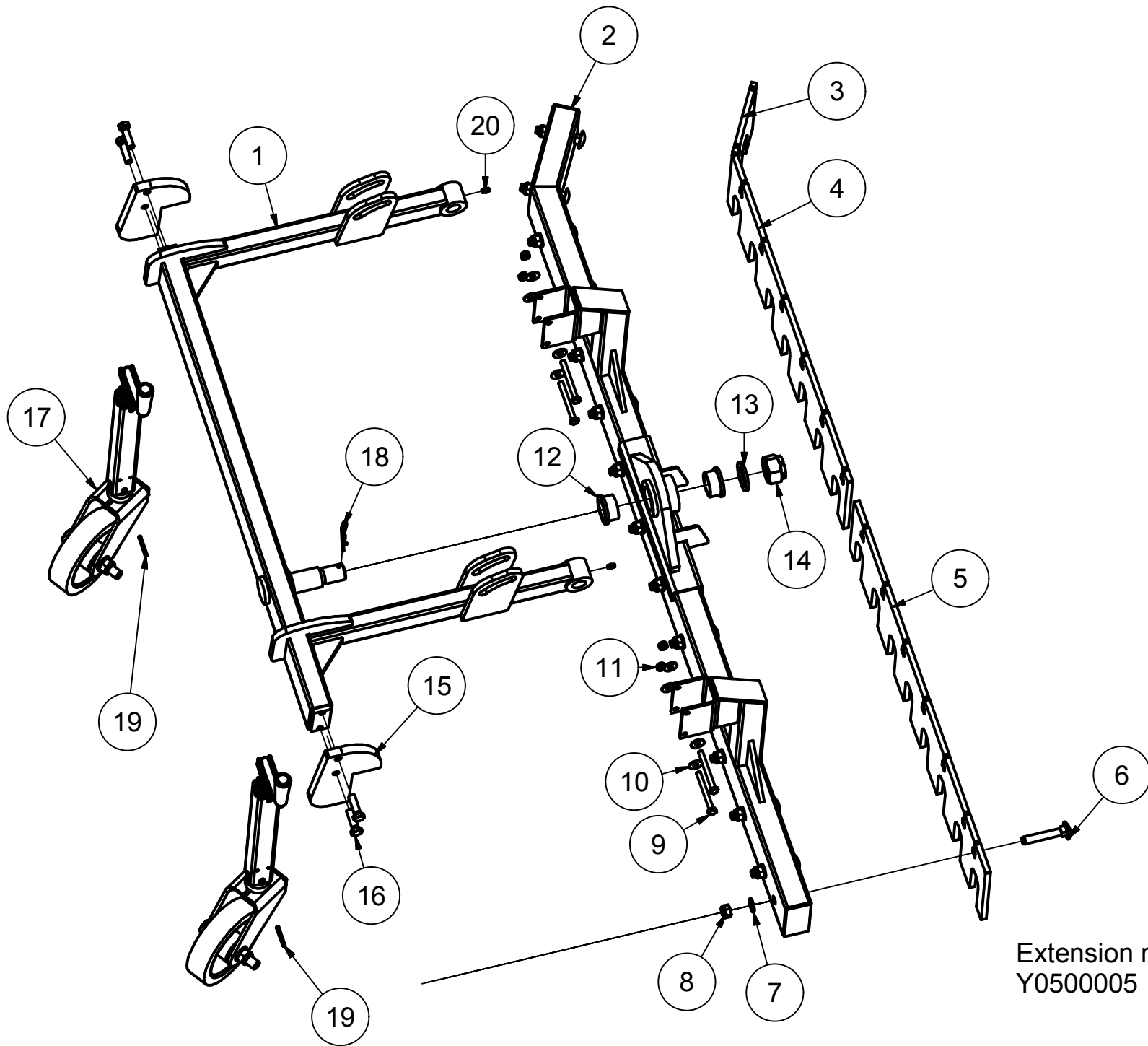
Y0.500.006 - Electrical set for BMH12

Y0500006 Electric set for BMH12

BOM version: BOM05102494

X =See separate drawing

Pos.	Item number	Description
1	20010916	Tail lamp 38 LED
2	20010918	Side marker lamp
3	22081127	M6x25 A2 kl.70 DIN912/ ISO4762 Socket Head Cap Screw
4	22058401	M6 140HV FZB DIN9021A/ ISO7093 Flat Washer without chamfer,
5	20010917	Side marker lamp 4LED
6	20010922	Electrical box for BMH12
7	20010920	Side L lamp
8	20010919	Side lamp orange/amber



Extension rake BMH12
Y050005

Y0500005 Extension Rake BMH12

BOM version: Y0500005

X =See separate drawing

Position	Item number	Product name
1	Y0500054	Extension bar
2	Y0500056	Front profile for extension
3	Y0500185	Small Blade for extension
4	Y0500184	Blade for extension
5	Y0500183	Blade for extension
6	22025513	M16x100 8.8 FZB DIN 603-8.8 Round Square Neck Bolt without H
7	22058704	M16 140HV FZB DIN 125 ISO7090 Flat Washer with chamfer
8	22052007	M16 6 FZB DIN985 Prevailing Torque Hex Nut with polyamid ins
9	22002240	M10x100 8.8 FZB DIN931 Hex Cap Screw
10	22058700	M10 140HV FZB DIN9021A/ ISO7093 Flat Washer without chamfer,
11	22052004	M10 6 FZB DIN985 Prevailing Torque Hex Nut with polyamid ins
12	25040402	Oil Bronze Bearing 45/55x45 w/nick 65x5
13	Y0500257	Washer for front extension
14	10020643	Stålkrone møtrik FZB str. 36
15	Y0500168	Plate extension's tube
16	22008605	M14x50 8.8 FZB DIN933 Hex Cap Screw
17	Y0500004	Set for leg support BMH12
18	23006023	ø4 A4 kl.70 BN33047 Spring Cotter Pin type B
19	23004403	ø6x50 420-560HV RAW DIN1481/ ISO8752 Spring Pin (Rolled Pin)
20	21060009	Grease nipple M8x1,25